

Service documentation C5

Indhold

Components	3
Display	3
Operation components	3
Master Print.....	4
Add-On Prints	4
Trouble shooting.....	5
Display	5
El diagrammer	7
Master Print.....	7
EL	7
Hydraulic.....	8
3-foldet boom.....	9
Jumpers for C5 print	10
Add-On Prints	11
Mounting kit for tractor	12
Normal.....	12
Iso-plug	13
Hydraulic diagram.....	14

Components

Display

	Item nr:	Version:	Description:
	90402853	0049-4	Std. Danish
	90402856	0002-06	Std. English
	90402855	0113-02B	Std. German
	90402859	0136-08b	GPS. Danish
	90402860	0171-01	GPS. Lithuanian
	90402861	0173-01	GPS. English
	90402866	0182-01	GPS. German

Operation components

Master Print



Item nr:	Version:	Description:
90403510		Print C5 (New)
90403511		Print C5 (Repaired)
Programs:		
90402858	0045-17	S3 – C5
90402852		

Add-On Prints

	90403512	Puls divider for wheel sensor.	
	90403503	Signal transformer so that a PVG can be used instead of linear actuator as used on older sprayers.	

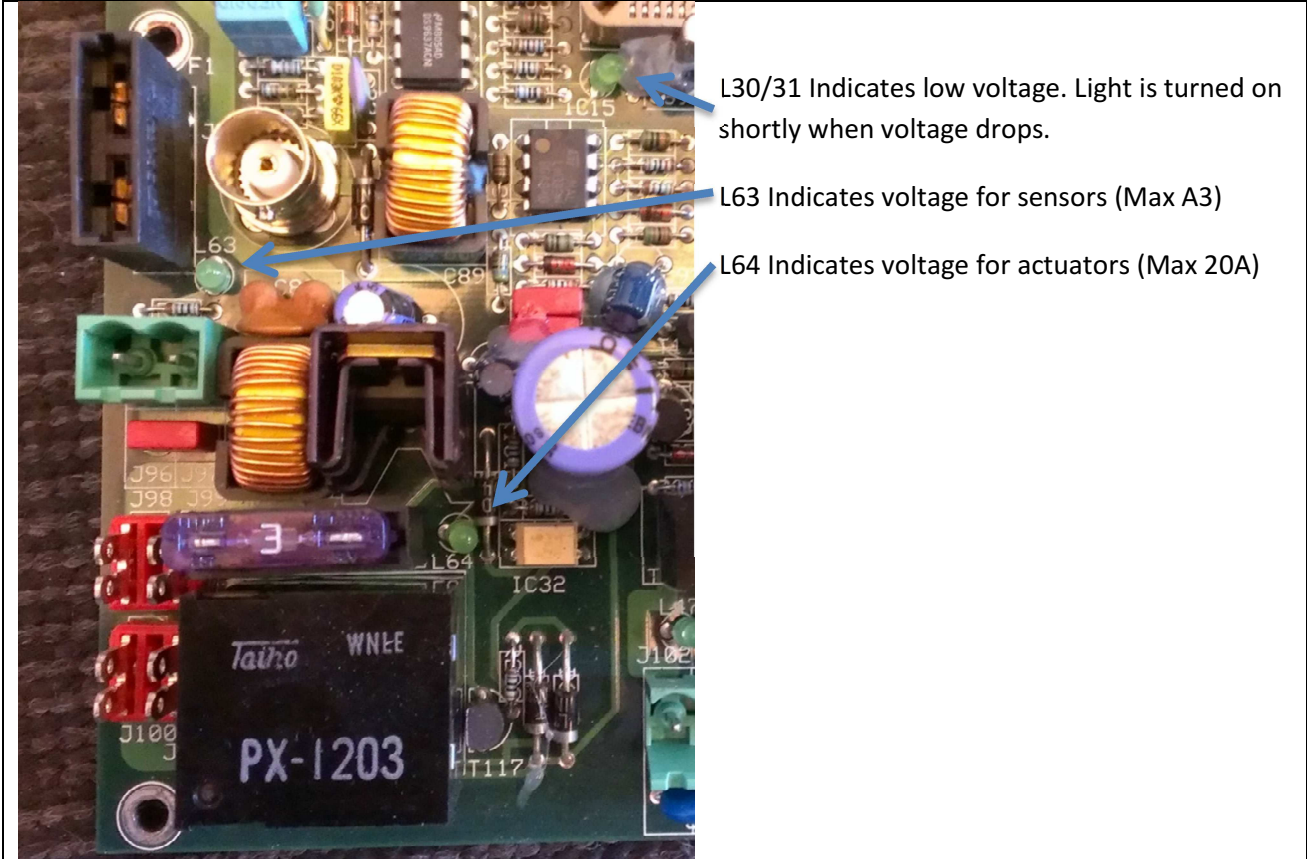
Trouble shooting

Display

Error codes S3	Cause	Solution
E05	To small dosage	Open rough valve a little
E06	To great dosage	Close rough valve a little
E10	Wind speed higher than allowed by setting in display	Change value in display, see user manual
E54	Negative working with, caused by faulty parameter settings.	Change number of sections and with of each section in display
Section will not open	User can close section by mistake by pressing joystick left or right and pushing the buttons on the display. The section on the screen will be marked as closed, and cannot be opened by control panel.	Press joystick left or right, and push black buttons on joystick to open closed section valve
Fan will not start	Button in pos. 6 on joystick is not pushed into down position.	Push button pos. 6 in middle of joystick down

Error code 00:	No error
Error code 01:	RPM 1
Error code 02:	RPM 2
Error code 03:	Error working with
Error code 04:	Data transmission error: Change cable between screen and control box
Error code 05:	Dosage to low
Error code 06:	Dosage to high
Error code 07:	Wind speed higher than allowed
Error code 08:	Error pump 1
Error code 09:	Error pump 2
Error code 10:	Error pump 3
Error code 11:	Error pump 4
Error code 12:	Error pump 5
Error code 13:	Error pump 6
Error code 14:	Inj. Tank 1 empty
Error code 15:	Inj. Tank 2 empty
Error code 16:	Inj. Tank 3 empty
Error code 17:	Inj. Tank 4 empty
Error code 18:	Inj. Tank 5 empty
Error code 19:	Inj. Tank 6 empty
Error code 20:	Dossage error pump 1
Error code 21:	Dossage error pump 2
Error code 22:	Dossage error pump 3
Error code 23:	Dossage error pump 4

Error code 24.	Dossage error pump 5
Error code 25:	Dossage error pump 6
Error code 26:	Error in parameters
Error code 27:	Error in ext. Setpoint (GPS)



El diagrammer

Master Print

EL

Function	Control lamp	+12V	Signal	GND	Note
Input					
Foam		137 Red	J81/J83	J138	Pre fuse 10Amp
Flow meter	L4	J39 Black	J42 Brown	J43 Blue	Pre fuse 5Amp
Filling meter	L2	J14 Brown	J40 Green	J41 White	
Wind meter	L3	J9 Brown	J12 Black	J13 Blue	
Wheelsensor	L6	J100 Brown	J45 Black	J46 Blue	
Guide Tractor 1: 2:		J29 Red Brown	J3 Green Black	J8 Yellow Blue	Two versions of the sensor
Guide sprayer		J1 Brown	J5 Black	J8 Blue	
Boom lock Left sensor Right sensor	L5	J44 Brown Brown	J15 Black	J18 Blue	Black and blue is connected on the two sensors Connect J15<- >J18 to disable boom lock on Concorde
Ultrasound left		J100 Brown	J7 White	J101 Blue	
Ultrasound right		J100 Brown	J37 White	J101 Blue	
Function	Control lamp	+ Signal	- Signal	GND	Note
Output					
1 Section	L49	J107 Black	J108 White		
2 Section	L50	J109 Yellow	J110 Red		
3 Section	L51	J112 Blue	J113 Brown		
4 Section	L52	J114 Grey	J115 Orange		
5 Section	L53	J117 Green	J118 Pink		
6 Section / Lys	L54	J119	J120		
7 Section	L55	J122	J123		
8 Section	L56	J124	J125		
Side marking light		J100 Violet	J101 Darkblue		
Motorvalve 1: With out plug 2: With plug	L47 / L48	J102 Blue Yellow	J104 Brown Blue		
Clean water pump	L42	J106 Brown		J93	Pre fuse 5Amp
Air actuator	L34 / L35	J77 Blue	J79 Brown		
Filling valve		J132 Brown	J131 Yellow	100 Blue	

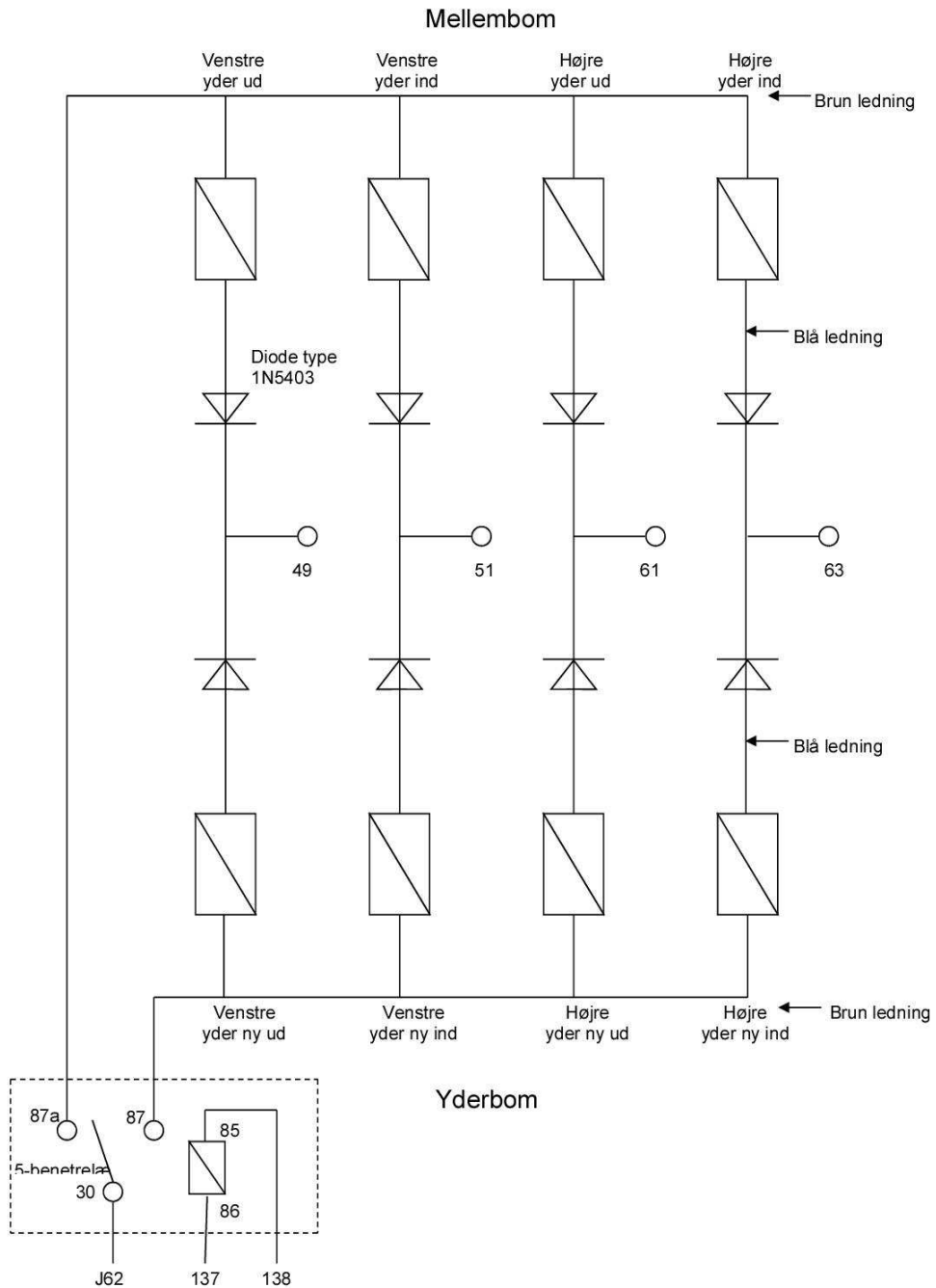
Hydraulic

Function	Control lamp	+ 12V	Signal	GND	Note
Output					
Bypass	L21	J66	J65		
V Outer out	L13	J50	J49		
V Outer in	L14	J52	J51		
V inner out	L15	J54	J53		
V inner in	L16	J56	J55		
H inner out	L17	J58	J57		
H inner in	L18	J60	J59		
H outer out	L19	J62	J61		
H outer in	L20	J64	J63		
Slant right	L39	J87	J50		
Slant left	L40	J89	J52		
Boom up	L22	J67	J68		
Boom down	L23	J69	J70		
Foam compressor	L61	J137		J138	
Foam right	L37		J83		
Foam left	L36		J81		
Air On/Off	L60		J134	J121	
High pressure	L62		J139	J140	
Guide right	L38	J85	J76		
Guide left	L41	J91	J76		
Left boom up	L32		J72	J73	
Left boom down	L33		J74	J75	
Right side up	L57		J127	J101	
Right side down	L58		J129	J101	

3-foldet boom

01.04.2009

Diagram for hydraulik, yderbom for 3-delt

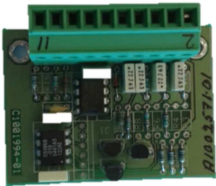


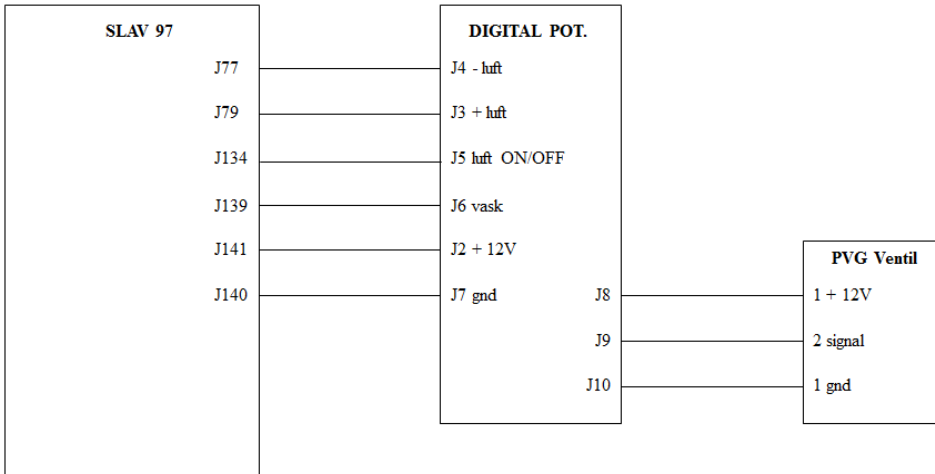
Jumpers for C5 print



Jumper	Function
1:	Always mounted
2:	Not mounted
3:	Mounted in Agrojoy
4:	Mounted in guide

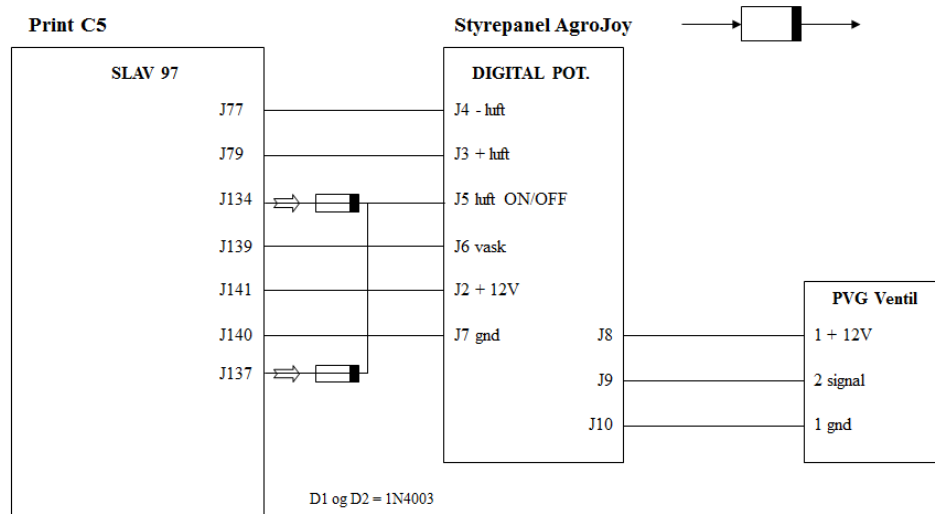
Add-On Prints

	90403503	Signal to PVG valve	
---	----------	---------------------	--



Montering digital pot. til AirBoss

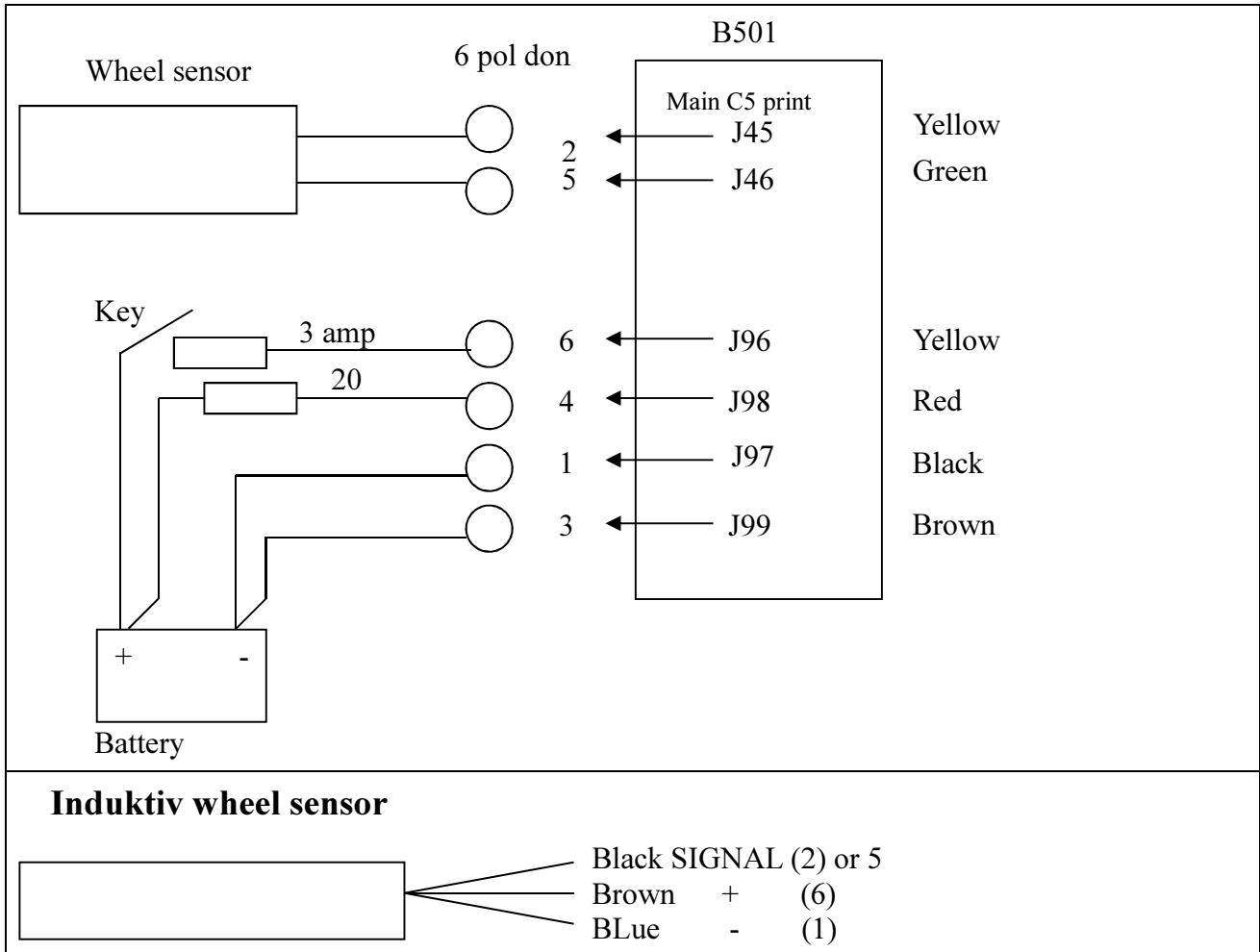
Monteres hvor det er nødvendigt at rentvandspumpe og blæser kan køre samtidig



Når D1 og D2 er monteret kan blæseren forsigtigt startes med omkopleren til skum

Mounting kit for tractor

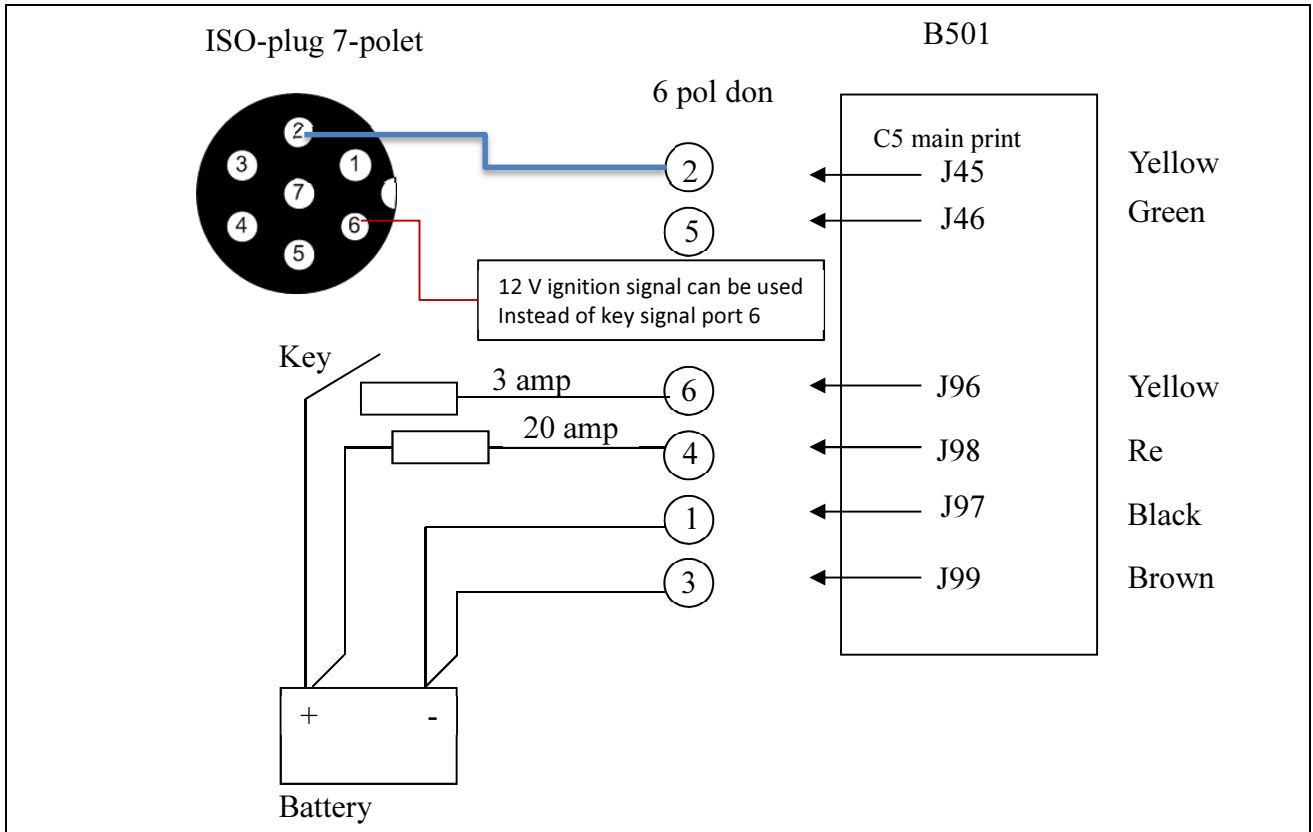
Normal



Iso-plug

Print 90403512, can be used to decrease number of pulses

If no pulses is registered on display move blue wheel sensor to port 5 instead of 2



Hydraulic diagram

